

»» Features

- A range of sockets and accessories for 881 & 888 series.
- PCB, screw terminal, panel or 35 mm rail mount versions.
- Can be use with supply status indication, coil protection & timer modules.
- Flammability UL 94-V2.
- Comply with RoHS-Directive 2002/95/EC.

»» Ordering Information

◆ Socket

STN	888	
1	2	3

- | | | | |
|--------|-------------------|----------|---|
| 1. STN | -- Socket type | 3. Blank | -- Double pole double throw (Pinning 5.0mm) |
| 2. 888 | -- 881、888 series | | |

◆ Protection module

MA	D	G	6	AD
1	2	3	4	5

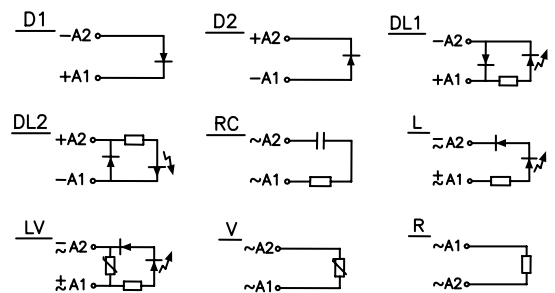
- | | | | |
|-------|------------------------------|------|-------------------------------|
| 1. MA | -- Module type A | 100 | -- 100~240V |
| | | 624 | -- 6~240V (Only for DC) |
| 2. D1 | -- Diode (only for DC) | 024 | -- 24V |
| D2 | -- Diode (only for DC) | 115 | -- 115V |
| DL1 | -- Diode & LED (only for DC) | 230 | -- 230V |
| DL2 | -- Diode & LED (only for DC) | | |
| RC | -- Resistor & Capacitor | 5. A | -- Suitable for AC Voltage |
| L | -- LED | D | -- Suitable for DC Voltage |
| LV | -- LED & Varistor | AD | -- Suitable for AC、DC Voltage |
| V | -- Varistor | | |
| R | -- Resistor | | |

- | | |
|----------|--------------------|
| 3. Blank | -- Non-LED |
| G | -- Green color LED |
| R | -- Red color LED |

- | | |
|------|-----------|
| 4. 6 | -- 6~24V |
| 24 | -- 24~60V |

◆ Accessories

- CP888 -- Plastic material clip for 881、888 series
- WP888 -- Writing plate for STN888 socket



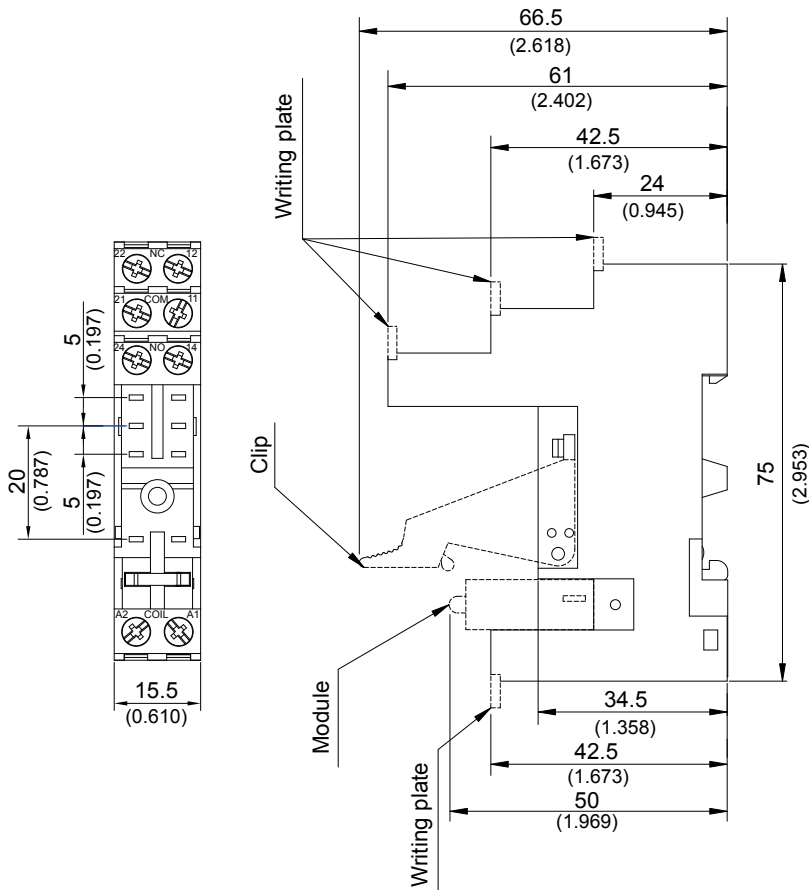
»» Specification

Rated current	12A 300VAC
Insulation resistance	1000 MΩ Min. (DC 500V)
Dielectric strength	Between open contact : 3000V, 50/60Hz 1 min.
	Between contact and coil : 4000V, 50/60Hz 1 min.
	Between contact circuits : 2000V, 50/60Hz 1 min.
Protection category	IP 20
Wire cross section	2 × 2.5 mm ²
Ambient temperature	-40 ~ +85°C (no freezing)
Weight	Approx. 46g

»» Safety Approval

Certified	UL / CUL
File No.	E252783

»» Outline Dimensions



»» Wiring Diagram

TOP VIEW

